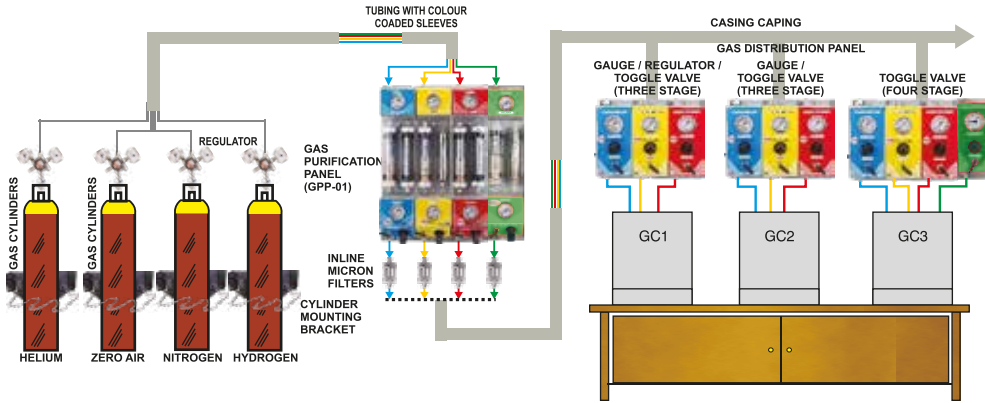
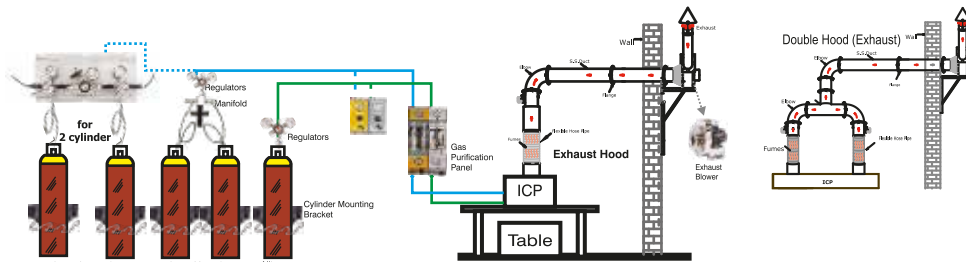


GAS EQUIPMENT

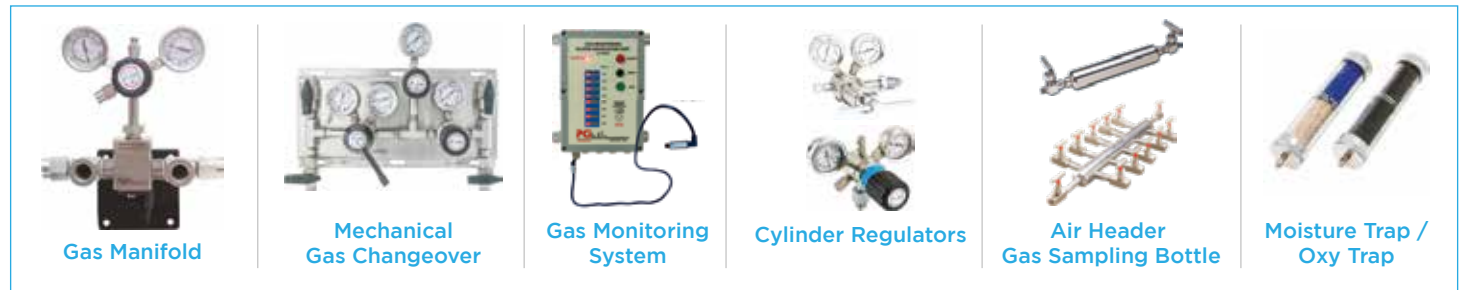
■ GAS PURIFICATION & CONTROL PANEL FOR GC



■ GAS PURIFICATION & CONTROL PANEL FOR ICP



■ ATTACHMENTS FOR GAS PANELS



■ GAS DETECTION SYSTEMS

Gas Transmitter / Detector

